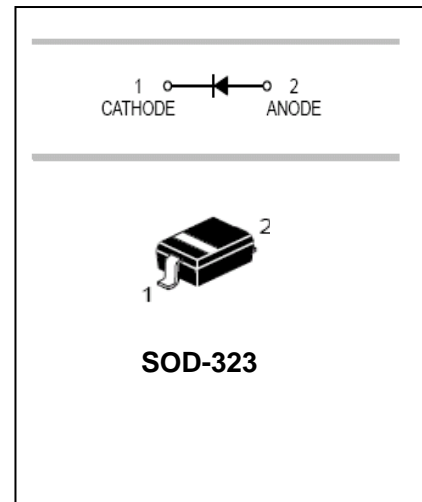


## Schottky Barrier Diode

## RB501V-40

### FEATURES

- High current rectifier schottky diode.
- Low voltage;Low inductance.
- For power supply.



### APPLICATIONS

- High frequency rectification.

### ORDERING INFORMATION

Type No.	Marking	Package Code
RB501V-40	4	SOD-323

### MAXIMUM RATING @ Ta=25°C unless otherwise specified

Parameter	Symbol	Limits	Unit
Peak reverse voltage	$V_{RM}$	45	V
DC reverse voltage	$V_R$	40	V
Mean rectifying current	$I_O$	0.1	A
Peak forward surge current	$I_{FSM}$	1	A
Junction temperature	$T_j$	125	°C
Storage temperature	$T_{stg}$	-55~+125	°C

### ELECTRICAL CHARACTERISTICS @ Ta=25°C unless otherwise specified

Parameter	Symbol	Min.	Typ.	Max.	Unit	Conditions
Forward voltage	$V_F$			0.55 0.34	V	$I_F=100mA$ $I_F=10mA$
Reverse current	$I_R$			30	$\mu A$	$V_R=10v$
Capacitance between terminals	$C_T$		6		pF	$V_R=10V, f=1MHz$

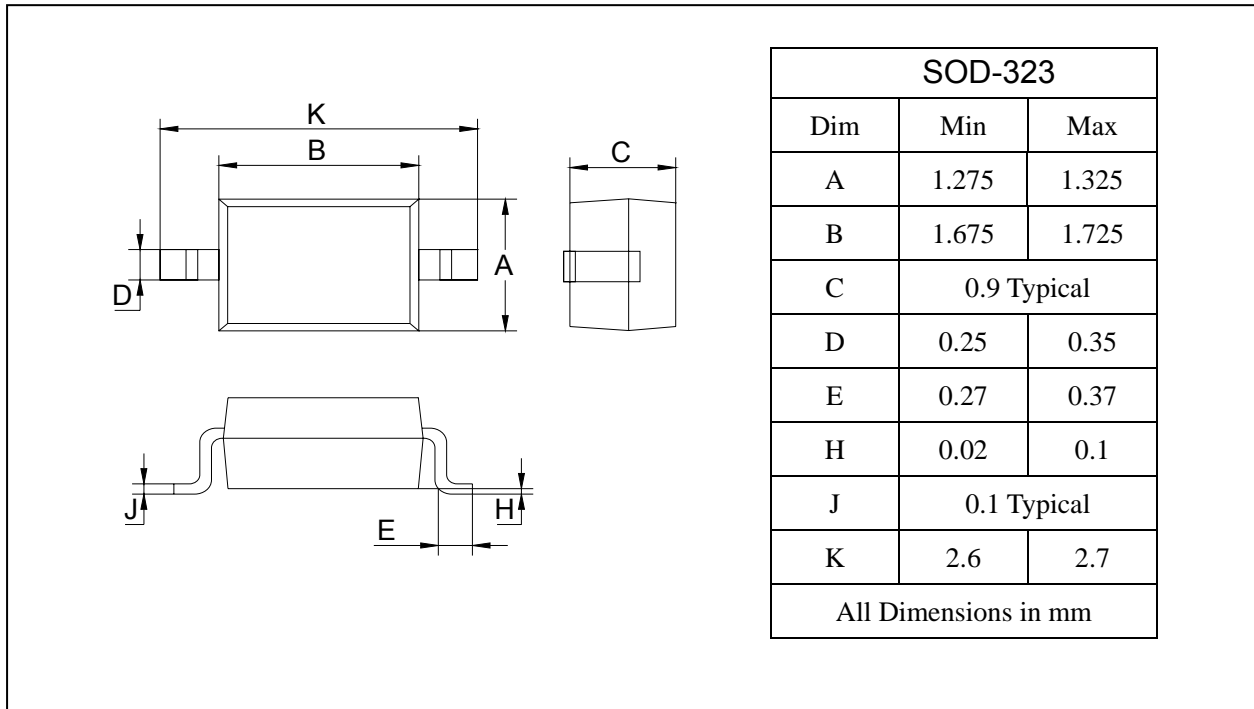
## Schottky Barrier Diode

## RB501V-40

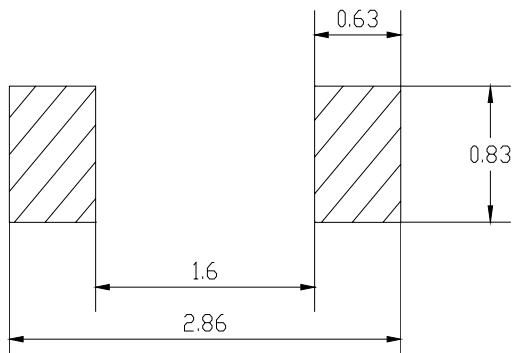
### PACKAGE OUTLINE

Plastic surface mounted package

SOD-323



### SOLDERING FOOTPRINT



Unit : mm

### PACKAGE INFORMATION

Device	Package	Shipping
RB551V-30	SOD-323	3000/Tape&Reel